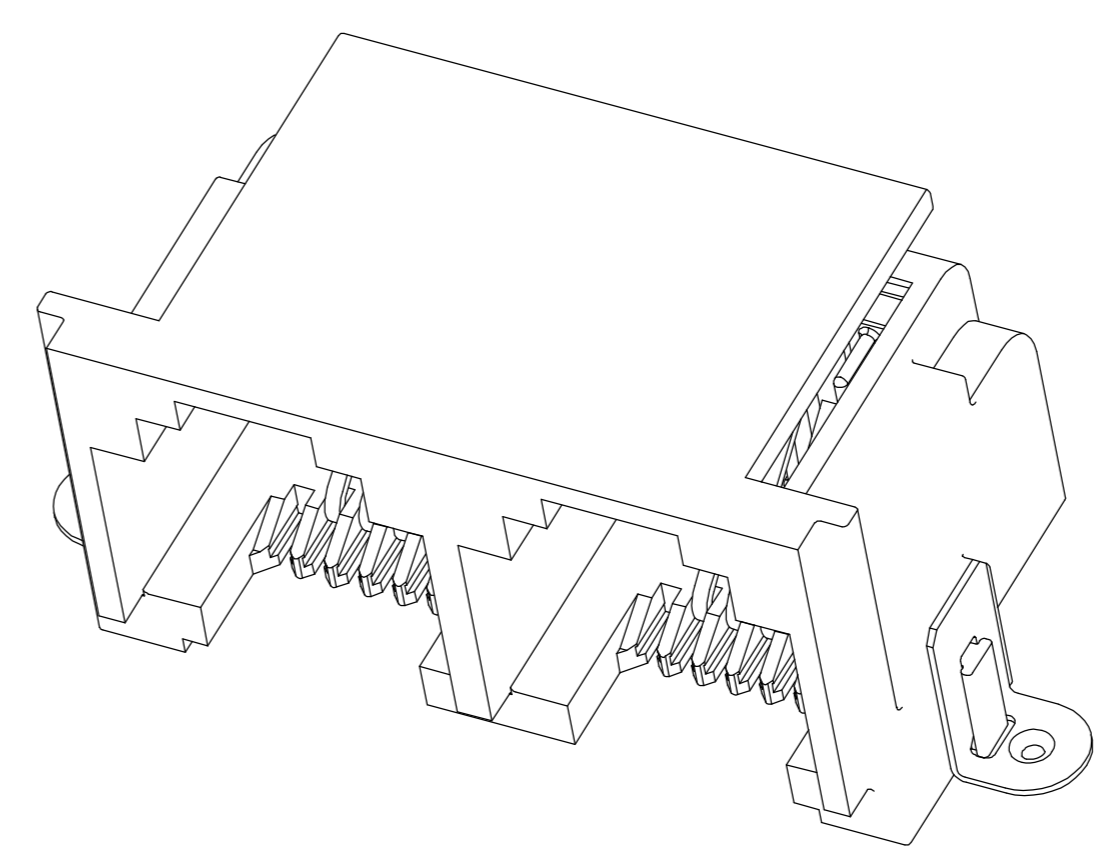
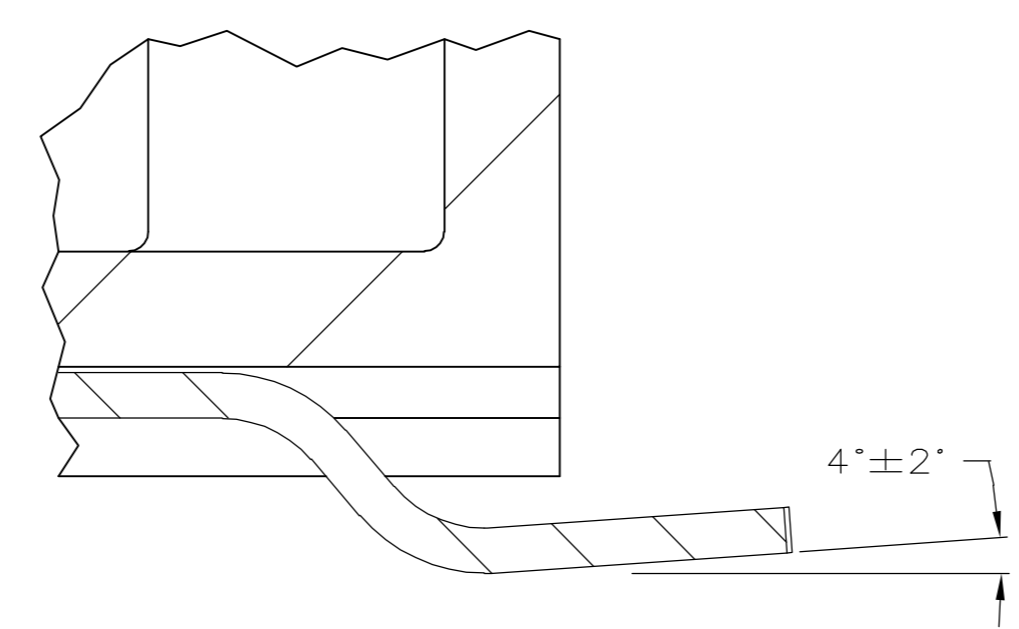
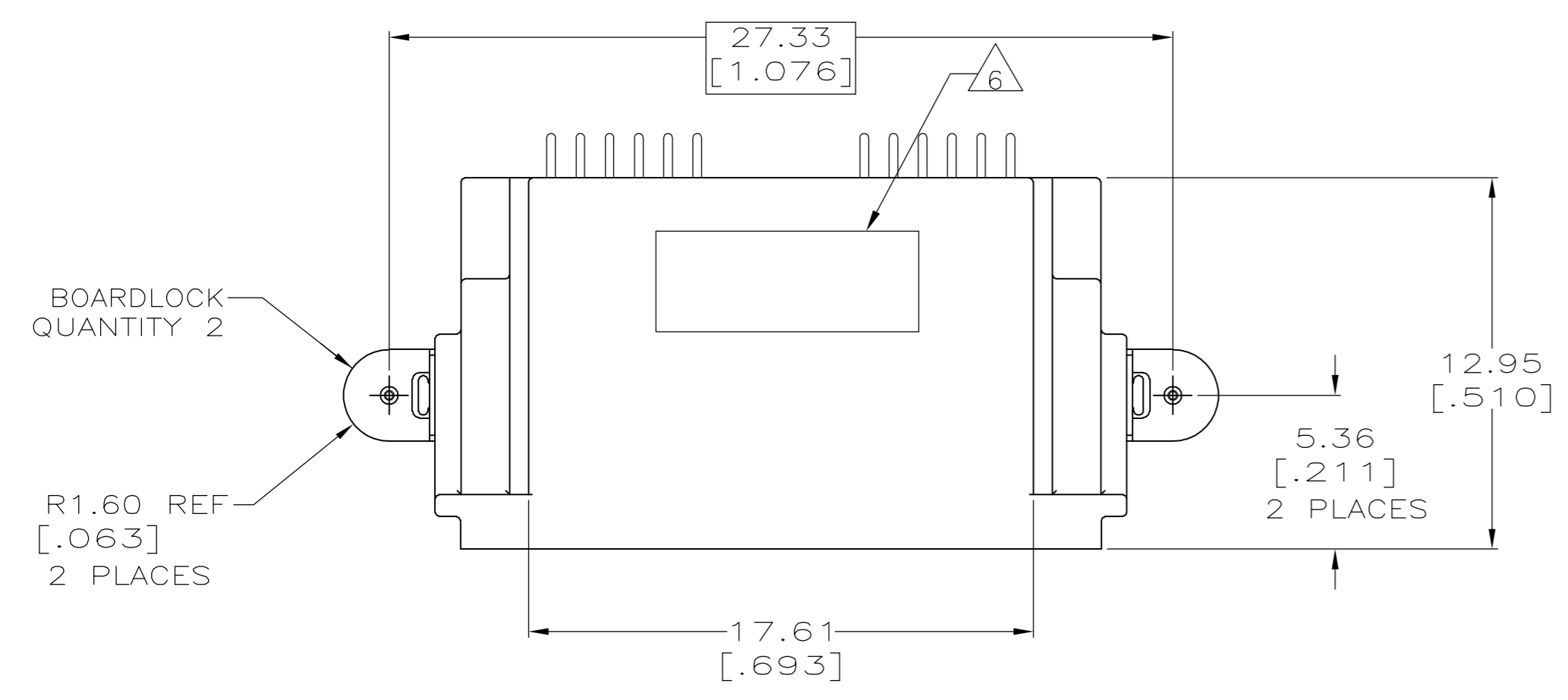
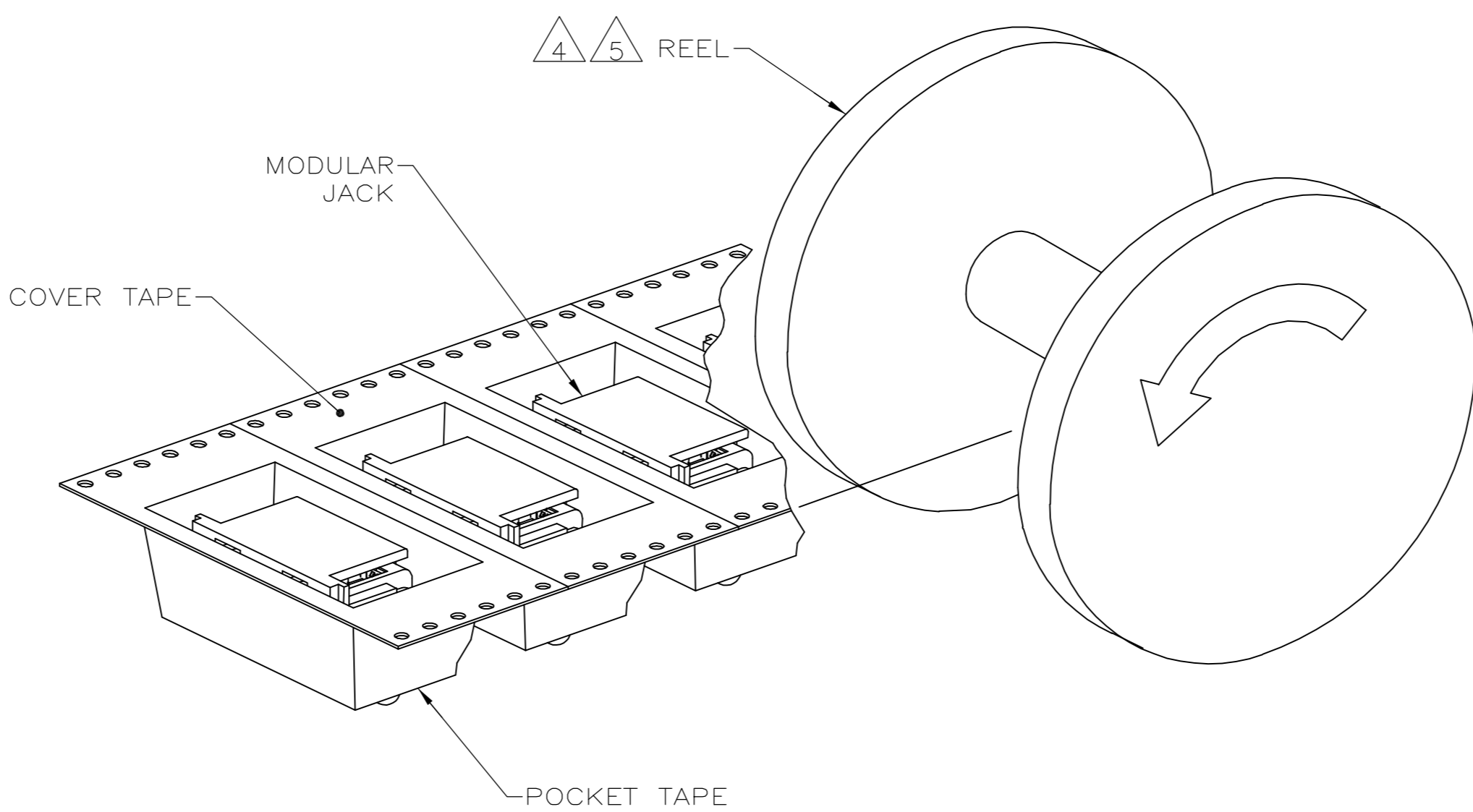
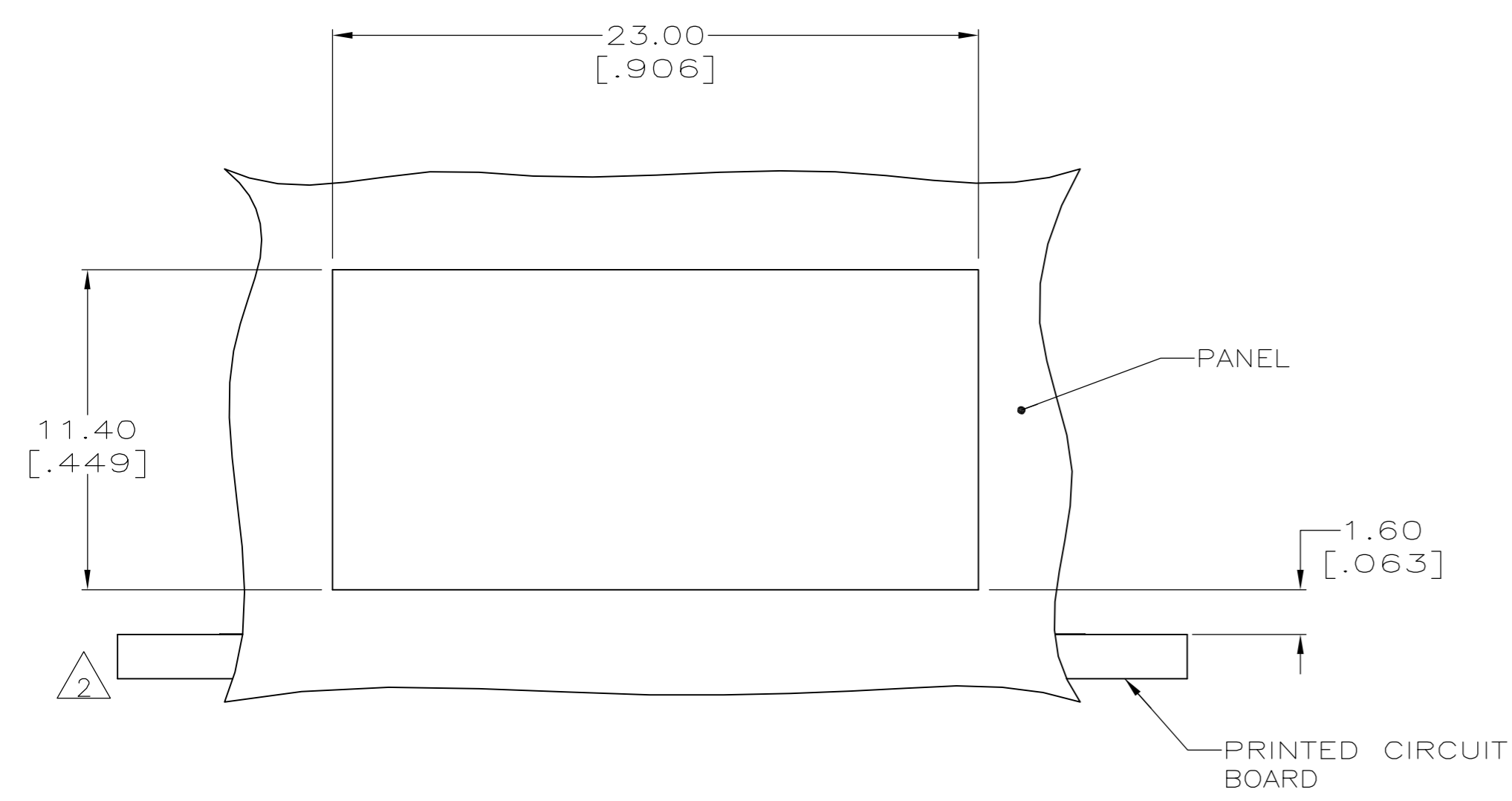
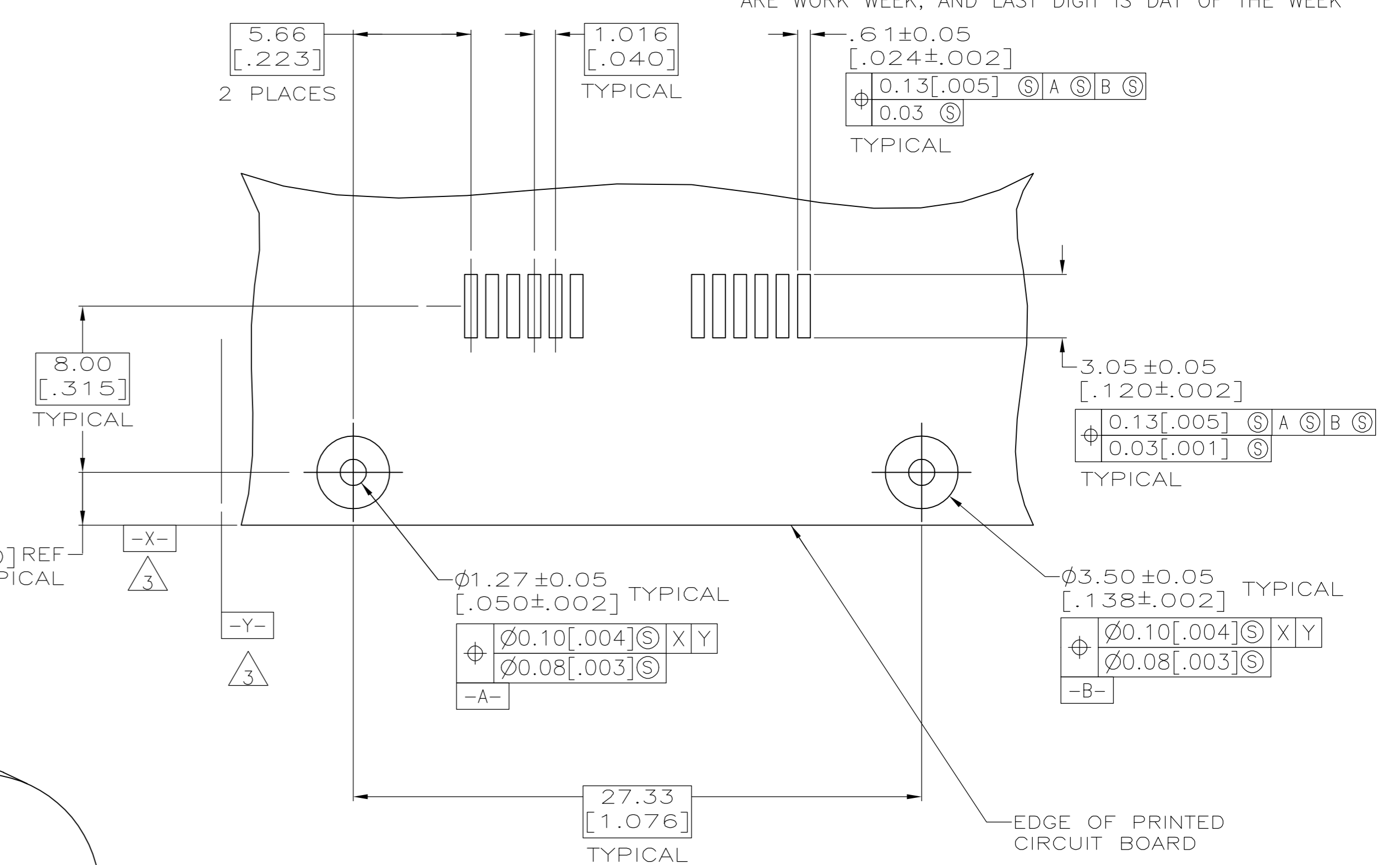
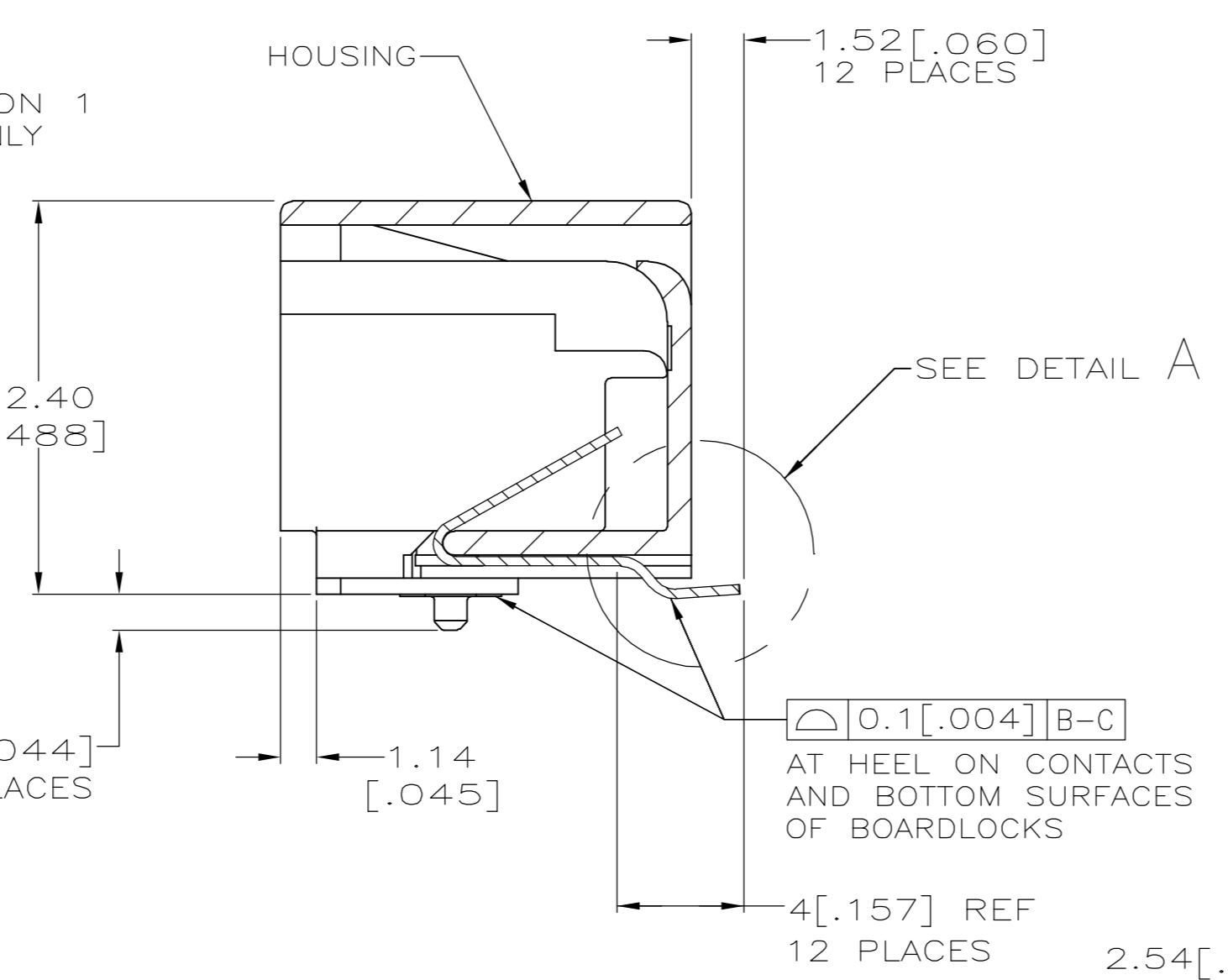
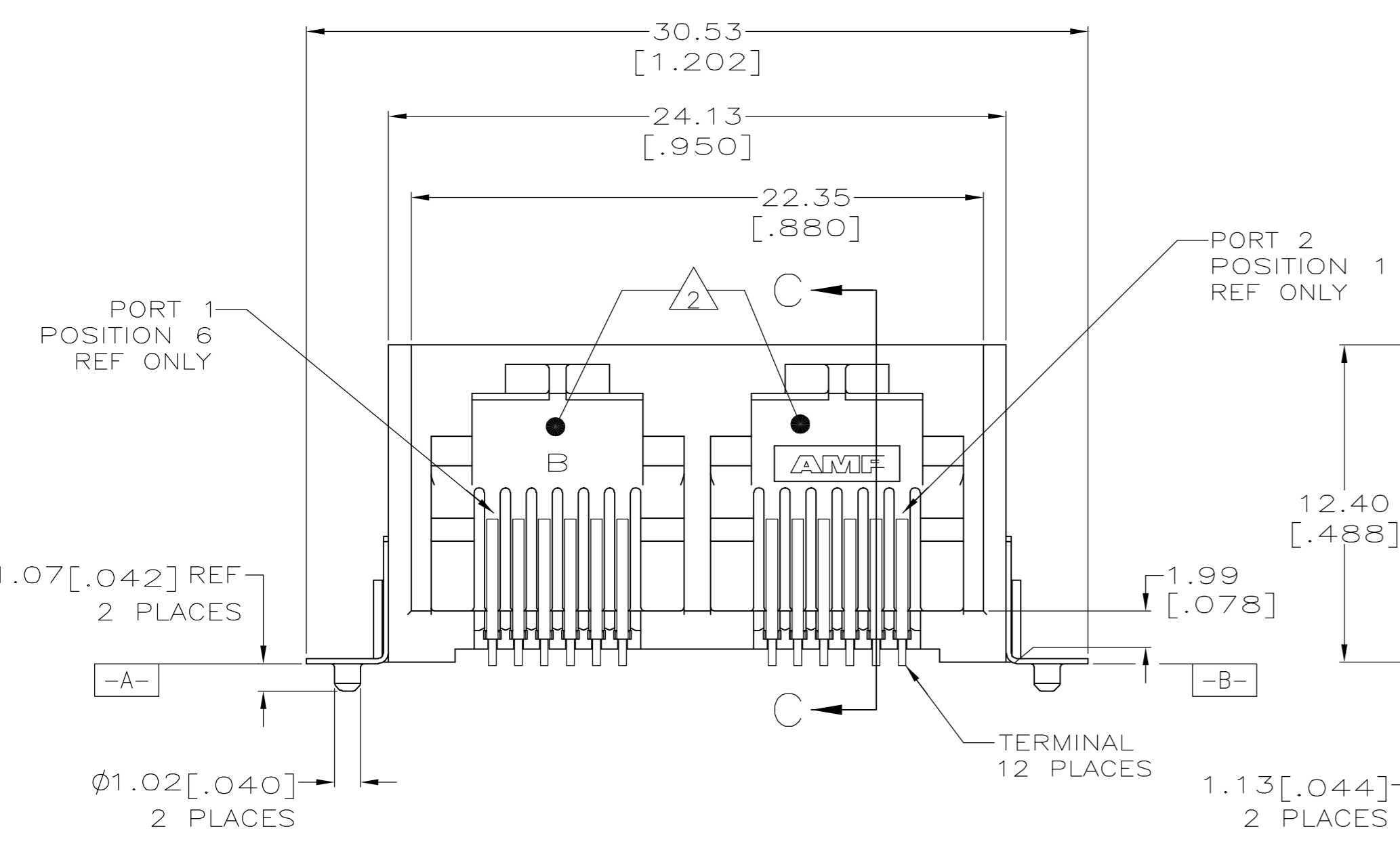


LOC	DIST	REVISIONS			
P	CHR	DESCRIPTION	DATE	DWN	APVD
B		ECO-06-011837	20MAY2006	LAM	JW



- MATERIAL: HOUSING - HIGH TEMPERATURE THERMOPLASTIC, SEE TABLE FOR COLOR.  
 TERMINALS - 0.3[.012] THICK COPPER ALLOY PLATED WITH 1.27μm[.000050] MINIMUM GOLD IN LOCALIZED CONTACT AREA, 2.5μm[.000100] MINIMUM MATTE TIN ON TERMINATION END, OVER 1.27μm[.000050] MINIMUM NICKEL OVER THE ENTIRE TERMINAL.  
 BOARDLOCK - BRASS, 1/2 HARD, 2.54μm[.000100] MINIMUM MATTE TIN OVER 1.27μm[.000050] MINIMUM NICKEL.
- JACK CAVITY CONFORMS TO FCC RULES AND REGULATIONS, PART 68 SUBPART F.
- DATUM ESTABLISHED BY CUSTOMER.
- PACKAGING TAPE AND REEL:(PER EIA 481 SPEC)  
 TAPE - 44mm[1.73] WIDE  
 POCKET PITCH - 24mm[.945]  
 CORRUGATED REEL DIAMETER - 560mm[22.0]  
 PIECES/REEL - 650
- PACKAGING TAPE AND REEL:(PER EIA 481 SPEC)  
 TAPE - 44mm[1.73] WIDE  
 POCKET PITCH - 24mm[.945]  
 PLASTIC REEL DIAMETER - 330mm[13.0]  
 PIECES/REEL - 200
- MANUFACTURING DATE CODE LOCATED APPROXIMATELY AS SHOWN. FIRST 2 DIGITS ARE YEAR, SECOND 2 DIGITS ARE WORK WEEK, AND LAST DIGIT IS DAY OF THE WEEK



RECOMMENDED PRINTED CIRCUIT BOARD LAYOUT  
 COMPONENT SIDE - VIEWED FROM TOP  
 SCALE 5:1

MARKING	COLOR	PACKAGING	PART NUMBER
NONE	GRAY	4	5406903-4
6	GRAY	5	5406903-2
6	GRAY	4	5406903-1

THIS DRAWING IS A CONTROLLED DOCUMENT.		DWN: J. ALCORTA - 16JUN2005	tyco	Tyco Electronics Corporation
DIMENSIONS: mm [INCHES]		DCK: J. WESTMAN - 16JUN2005	APVD: S. FLICKINGER - 16JUN2005	Harrisburg, PA 17105-3608
TOLERANCES UNLESS OTHERWISE SPECIFIED:		NAME: MODULAR JACK ASSEMBLY, 6/6, 2 PORT, SURFACE MOUNT, RIGHT ANGLE, WITH PANEL STOPS		
0 PLC ± -	1 PLC ± -	PRODUCT SPEC: 108-1689	SIZE: 114-6040	RESTRICTED TO: -
2 PLC ± 0.13[.005]	3 PLC ± -	APPLICATION SPEC: 114-6040	WEIGHT: 2.2 GRAMS	CUSTOMER DRAWING
4 PLC ± -	ANGLES ± -	SCALE: 5:1	DRAWING NO: A1 00779	SHEET 1 OF 1
SEE NOTE 1	SEE NOTE 1	SCALE: 5:1	DRAWING NO: A1 00779	REV: B